



## 10xW SERIES

### Weatherized Rim Exit Device

The 10xW Series **weatherized rim exit device** is super-heavy-duty **panic** and **fire exit hardware** for use on all types of single doors and gates and double doors and gates with mullions that are or may be exposed directly to the weather. The patented mounting plate and strike locator system ensures the easiest and most accurate installation of panic hardware available. In addition to listing as UL panic and fire exit hardware device, this device conforms to UL1034-33 Temperature Section 33, UL1034-53 Dust Section 53, MIL-STD 810F, Method 506.4 (driving rain test); MIL-STD 810F, Method 509.4 (salt fog test) and UBC standard 7-2 (positive pressure).



ANSI 156.3 - 2008  
Grade 1  
Type 1

#### Benefits -

- Tough and durable design for years of trouble-free service in high-use, high-abuse or inclement weather environments
- Fast and accurate installation
- Minimal door prep saves time and money
- Outside trims are easily changed or re-keyed without removing device from door

#### Features -

- Patented mounting plate and strike locator system replaces paper templates
- Tested beyond 1,000,000 cycles - Twice the cycling required for Grade 1 UL testing
- Heavy-duty angled end-cap deflects damage away from device
- Stainless steel deadlocking, Pullman-type latch bolt
- All exposed surfaces are finished over stainless steel with PVD, an environmentally-friendly finishing process
- Non-handed
- Field sizeable
- 1/8 turn hex or cylinder dogging

#### Mechanical Options -

- F - 3 Hour Fire Rated
- CD - Cylinder Dogging
- 99 - Surface Strike (Std.)
- H - Hurricane Rated
- HD - Hex Dogging (Std.)
- 98 - Semi Mortise Strike
- BP-3 Mounting plate (call factory for retrofit information)
- LD - Less Dogging
- 36 - Fits 36" Door Width (Std.)
- BP-5 Mounting Plate (call factory for retrofit information)
- 48 - Fits 48" Door Width

#### Electrical Options -

- Electric Unlock (EU)
- Request to Exit Weatherized for High Voltage (EXVxW)
- Refer to Electrified Options section for more information
- Request to Exit Weatherized (EXxW)

## Accessories -

- GB1 - Glass Bead Kit
- SN1 - Sex Nut Kit (2 per package)
- SSK - Security Torx Screw Kit
- Trim Functions (see Outside Trims)
- GTPLV40 - Adjustable Gate Plate
- Electrified Options (see Electrified Options)

## Technical Information -

- Door Types - Wood, Hollow Metal, Fiberglass or Aluminum
- Door Thickness - Fits standard 1-3/4" - 2-1/4" doors (for other door thicknesses contact factory)
- Minimum Stile - 4-5/8" with standard 99 strike; 4-1/8" with optional 98 strike
- Fasteners - Machine and Self-Drilling Screws standard
- Recommended Plate Size  
Gate - 1/8" thick plate, galvanized, or painted steel or 1/4" thick aluminum plate, minimum Height - 10"

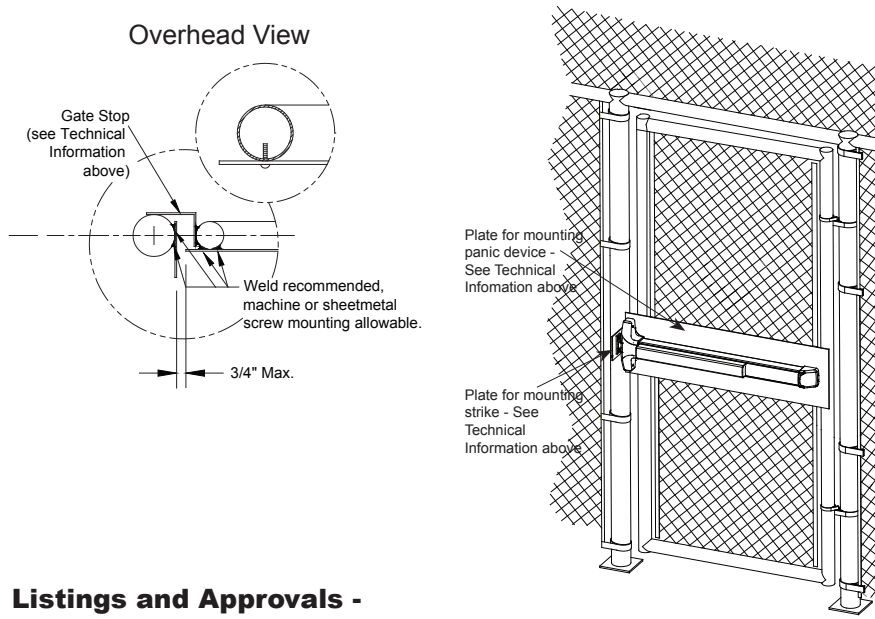
Strike - 1/8" thick plated, galvanized, painted steel plate, angle iron, or 1/4" thick aluminum plate, minimum Height - 5"

Stop - 1/8" thick plated, galvanized, or painted angle iron or 1/4" thick aluminum angle plate, minimum Height - 2"

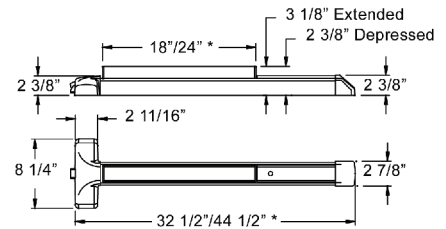
## Finishes -

605 / US3	Polished Brass	612 / US10	Brushed Bronze	630 / US32D	Brushed Stainless Steel
606 / US4	Brushed Brass	613 / US10B	Oil Rubbed Bronze	693 / SPBLK	Black, Painted
611 / US9	Polished Bronze	628 / US28	Aluminum Satin	695 / SP 313	Dark Bronze, Painted
		629 / US32	Polished Stainless Steel		

## Single Gate



## Dimensions -



\* 18" and 32 1/2" dimension for 36" door

\* 24" and 44 1/2" dimension for 48" door

## Detex Limited Warranty -

10 Year Mechanical/3 year Electrical Limited Manufacturer's Warranty

## Listings and Approvals -

- UL Listed Panic Hardware
- UL Listed Fire Exit Hardware for 3 hours, maximum
- 4'x10' single doors and pairs of 4'x8' with F90KR key removable Mullion
- UL1034 - 33 Temperature Section 33 [Temperature Range -31° F (-35° C) to 150° F (+66° C)]
- UL1034 - 53 Dust Section 53
- Meets ADA requirements
- UBC 97, Standard 7-2 and UL10C for positive pressure

ANSI/BHMA certified A156.3

Meets NFPA 80 & 101 for Life Safety

Miami-Dade County, Florida  
NOA 10-0303.02 EXP. 04/07/15  
State of Florida Approval  
FL9052

California State Fire Marshall -  
4140-0127:105 and  
3725-0127:108

MIL-STD 810F (G), Method 509.4 (Salt Fog Test)

MIL-STD 810F (G), Method 506.4 (Driving Rain), Procedure 1

*Where Trust is Built™*  
**DETEX®**  
*Life Safety and Security Door Hardware*

Detex Corporation  
302 Detex Drive  
New Braunfels, Texas 78130-3045 USA  
PH. (830) 629-2900  
(800) 729-3839  
FAX (830) 620-6711  
(800) 653-3839  
<http://www.detex.com>  
USA Sales:  
[marketing@detex.com](mailto:marketing@detex.com)  
International Sales:  
[export@detex.com](mailto:export@detex.com)